




Straight Power – unstoppable.

The be quiet! Straight Power series stands out for its **outstanding quality, fine-tuned engineering and energy-saving concept.**

The Straight Power 700W is a **quiet and reliable high-quality power supply** for PC systems with high powered graphics cards requiring a **high level of power supply stability.**

PERFORMANCE	CONNECTIVITY	ECONOMY	SERVICE
<ul style="list-style-type: none"> • Thermoelectronics for efficient cooling. Automated control of the internal fan & 2 additional connected case fans with start-up pulse. • Four separated 12 V rails (QUAD RAIL) for optimal power supply • Stable power supply, high degree of safety against currency fluctuations off the power mains through a very high support time of >23ms. • Maximum power stability on the output voltages of (+/- 3%) and active PFC with PF of up to 0.99. 	<ul style="list-style-type: none"> • Motherboard 20/24 Pin connection • 8 x SATA ports • 4 x HDD ports • 1 x FDD ports • 1x 12 V P4 plug • 1x 12 V P8 plug • 2x PCIe cables for NVIDIA SLI & ATI/AMD Crossfire • Key connections bundled into an all-in-one cable (2x HDD, 2x SATA, 1x FDD) • Coated cables bring order to the system • Strong 3A stand-by power level for connecting multiple USB devices 	<ul style="list-style-type: none"> • Enables the construction of a power-saving PC system • Excellent energy savings and robustness, with efficiency reaching up to 87% <div style="text-align: center;">  </div> <ul style="list-style-type: none"> • Standby consumption <0.8W • Maximum quality components, intelligent cooling system and low heat generation ensure a long service life 	<ul style="list-style-type: none"> • Premiere service • 3 year manufacturer's guarantee

Technical Data

Technical Data	ATX Form Factor	ATX 12V Version 2.2		
	AC Voltage	110 - 240Vac		
	Frequency	50 - 60Hz		
	PFC type	Active PFC		
	PF value	0,99 @ 100% load		
DC Output Regulation voltage	DC output	Tolerance	Control ranges	
	+ 3,3V	+/- 3%	3,20 ~ 3,40	
	+ 5V	+/- 3%	4,85 ~ 5,15	
	+ 12V1	+/- 3%	11,64 ~ 12,36	
	+ 12V2	+/- 3%	11,64 ~ 12,36	
	from 550W up to 700W	+ 12V3	+/- 3%	11,64 ~ 12,36
		+ 12V4	+/- 3%	11,64 ~ 12,36
		- 12V	+/- 3%	11,64 ~ 12,36
	+ 5VSB	+/- 3%	4,85 ~ 5,15	

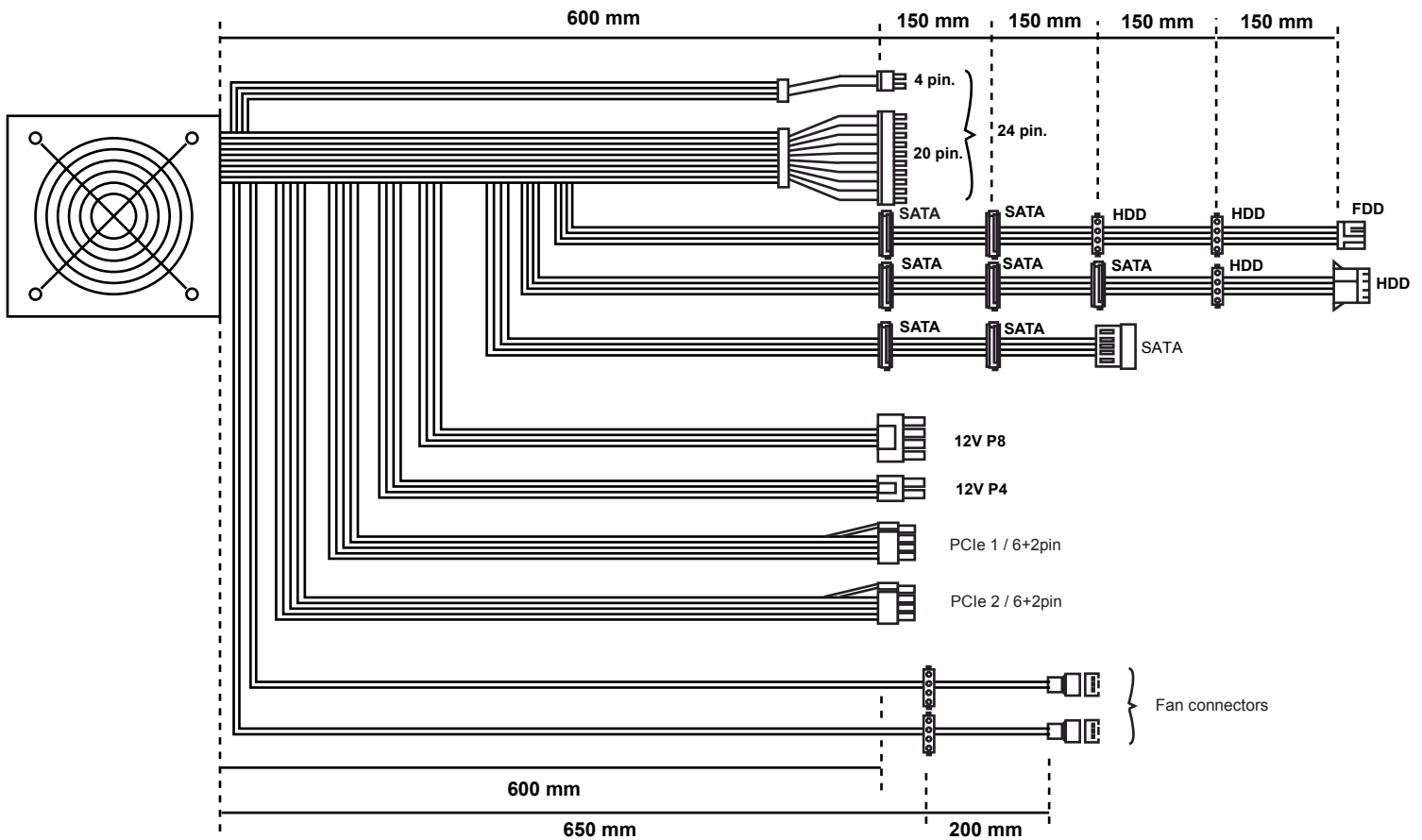
Specification

AC Input		110 - 240Vac		50 - 60Hz		10 - 5A			
DC Output		3,3V	5V	12V1	12V2	12V3	12V4	-12V	5VSB
BQT E6-700W 700W	max. current	35A	30A	18A	18A	18A	18A	0,5A	3A
	max. combine power	180W		56A				6W	15W
		700W							

Certifications



Cable Management



Connectors			
HDD	4	P8	1
SATA	8	FAN	2
FDD	1		
PCI-E	2		
P4	1		

Logistic Data

Weight:	packaging unit:	package size:	manufacturer number:	EAN-Code:
Gross: 3,330 kg	6 pcs. / package	300 x 110 x 230 (WxHxD)	BN089	4260052181058
p.u. Gross: 21,300 kg	Dimensions: 340 x 250 x 660 (WxHxD)			